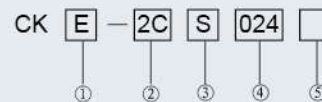


特点 Features

- 体积小，灵敏度高
- 触点负载大 2C: 5A/10A, 4C: 3A
- 多种规格，配有双向指示灯
- 带机械指示窗
- Small size and high sensitivity
- Large contact load 2C: 5A/10A, 4C: 3A
- Multiple specifications with two-way indicator
- With mechanical indicator window

型号说明 Model Number Structure



① 电流形式 (阻性) Current form(Resistance)	E: 电流负载 3A、5A E: Current load 3A、5A L: 电流负载 10A L: Current load 10A
② 触点形式 Contact form	2C: 2组 Set 4C: 4组 Set
③ 接线方式 Mount options	S: 插入式; P: 焊接式 S: Plug-in type; P: Welded type
④ 电压 Voltage	参考线圈规格代号 Reference coil specification code
⑤ 选项 Options	无: 标准型; LT: LED+ 测试按钮; LTD: LED+ 测试按钮 + 二极管 No, standard type; LT: LED+Test button LTD: LED+Test button+Diode

规格 Specifications

型号 Model	CKE-2CS	CKE-4CS	CKL-2CS
形式 Form	2C	4C	2C
负载 (阻性) Load(Resistance)	阻性 Resistance	5A/250VAC 30VDC	3A/250VAC 30VDC
	马达 Motor	1/6HP 240VAC	1/6HP 240VAC
切换功率 (阻性) Switching power (Resistance)	1750VA, 210W	750VA, 90W	2500VA, 300W
触点 Contact			
接触电阻 (初始) Initial contact (resistance)	50m	≤ 100m	≤ 100m
材料 Material	银合金 Ag alloy	银合金 Ag alloy	银合金 Ag alloy
电气寿命 (频率 1S 通, 1S 断) Electrical life(1s ON/ 1s OFF)	≥ 10 ⁵ 次 (1800 操作次数 / 小时) ≥ 10 ⁵ 次 (1800 Ops/h)	≥ 10 ⁵ 次 (1800 操作次数 / 小时) ≥ 10 ⁵ 次 (1800 Ops/h)	≥ 10 ⁵ 次 (1800 操作次数 / 小时) ≥ 10 ⁵ 次 (1800 Ops/h)
机械寿命 (频率 300 次 / 1 分钟) Mechanical life(300 times / 1 min)	≥ 10 ⁷ 次 (18000 操作次数 / 小时) ≥ 10 ⁷ 次 (18000 Ops/h)	≥ 10 ⁷ 次 (18000 操作次数 / 小时) ≥ 10 ⁷ 次 (18000 Ops/h)	≥ 10 ⁷ 次 (18000 操作次数 / 小时) ≥ 10 ⁷ 次 (18000 Ops/h)
吸合电压 (23℃) Pick-up voltage (23℃)	DC: ≥ 75% (额定电压), AC: ≥ 80% (额定电压) DC: 75% (Rated voltage), AC: 80% (Rated voltage)	DC: ≥ 75% (额定电压), AC: ≥ 80% (额定电压) DC: 75% (Rated voltage), AC: 80% (Rated voltage)	DC: ≥ 75% (额定电压), AC: ≥ 80% (额定电压) DC: 75% (Rated voltage), AC: 80% (Rated voltage)
释放电压 (23℃) Drop-out voltage (23℃)	DC: ≥ 10% (额定电压), AC: ≥ 30% (额定电压) DC: 10% (Rated voltage), AC: 30% (Rated voltage)	DC: ≥ 10% (额定电压), AC: ≥ 30% (额定电压) DC: 10% (Rated voltage), AC: 30% (Rated voltage)	DC: ≥ 10% (额定电压), AC: ≥ 30% (额定电压) DC: 10% (Rated voltage), AC: 30% (Rated voltage)
最大电压 (23℃) Maximum voltage (23℃)	110% (额定电压) 110% (Rated voltage)	110% (额定电压) 110% (Rated voltage)	110% (额定电压) 110% (Rated voltage)
绝缘电阻 Insulation resistance	≥ 500M (500VDC)	≥ 500M (500VDC)	≥ 500M (500VDC)
线圈功率 Coil operating power	DC(W)	约 0.9 Approx. 0.9	约 0.9 Approx. 0.9
	AC(VA)	约 1.2 Approx. 1.2	约 1.2 Approx. 1.2
吸合时间 (额定电压) Operate time (at nominal voltage)	≤ 20 ms	≤ 20 ms	≤ 20 ms
释放时间 (额定电压) Release time (at nominal voltage)	≤ 20 ms	≤ 20 ms	≤ 20 ms
初始耐压 Initial breakdown voltage	同极触点之间 Between open contacts	1000VAC/1min (漏电流 1mA) 1000VAC/1min (leakage current 1mA)	1000VAC/1min (漏电流 1mA) 1000VAC/1min (leakage current 1mA)
	异极触点之间 Between poles	1000VAC/1min (漏电流 1mA) 1000VAC/1min (leakage current 1mA)	1000VAC/1min (漏电流 1mA) 1500VAC/1min (leakage current 1mA)
	触点与线圈间 Between contacts and coil	1500VAC/1min (漏电流 1mA) 1500VAC/1min (leakage current 1mA)	1500VAC/1min (漏电流 1mA) 1500VAC/1min (leakage current 1mA)
环境温度 Ambient temperature	-25~+55℃	-25~+55℃	-25~+55℃
环境湿度 Humidity	35%~85%RH	35%~85%RH	35%~85%RH
大气压力 Air pressure	86~106KPa	86~106KPa	86~106KPa
耐冲击 Shock resistance	10G(正弦半波脉冲: 11ms)	10G(正弦半波脉冲: 11ms)	10G(正弦半波脉冲: 11ms)
	10G(sinusoidal half-wave pulse: 11ms)	10G(sinusoidal half-wave pulse: 11ms)	10G(sinusoidal half-wave pulse: 11ms)
耐振动 Vibration resistance	10~55Hz 双振幅: 1.0 mm	10~55Hz 双振幅: 1.0 mm	10~55Hz 双振幅: 1.0 mm
	10~55Hz double-amplitude: 1.0mm	10~55Hz double-amplitude: 1.0mm	10~55Hz double-amplitude: 1.0mm
安装方式 Mounting	插入式 plug in	插入式 plug in	插入式 plug in
重量 Unit weight	35g	40g	40g

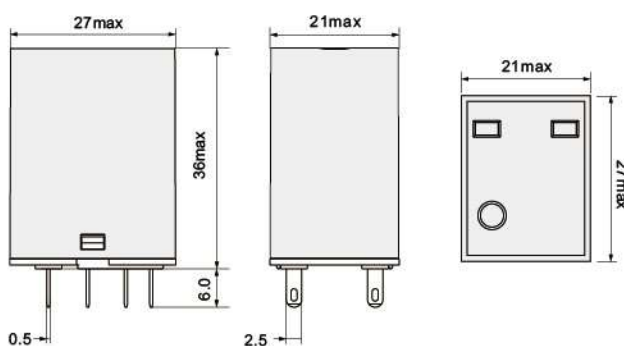
线圈规格 (23°C) Coil Specifications (23°C)

型号 Model	CKE-2CS, CKE-4CS, CKL-2CS							
电压代号 (DC) Voltage code(DC)	006	009	012 *	024 *	036	048 *	110	220
额定电压 V.DC Nominal voltage V.DC	6	9	12	24	36	48	110	220
线圈电阻 Ω Coil resistance Ω	40	90	180	640	1500	2600	13000	42000
电压代号 (AC) Voltage code(DC)	706	712	724 *	736	748 *	710	730 *	780
额定电压 V.AC Nominal voltage V.AC	6	12	24	36	48	110	230	380
线圈电阻 Ω Coil resistance Ω	11.5	40	180	370	640	4430	16500	42000

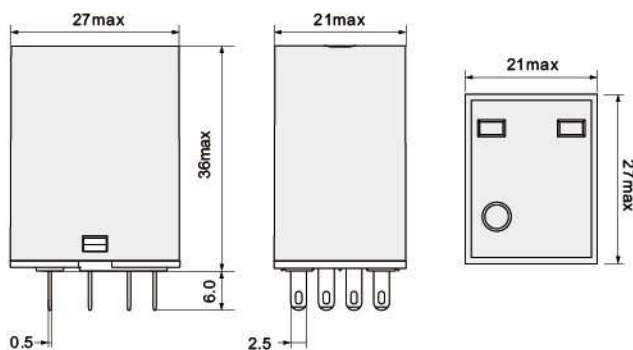
注：带 * 号为常规型号。

外观和尺寸 Appearance and Dimension

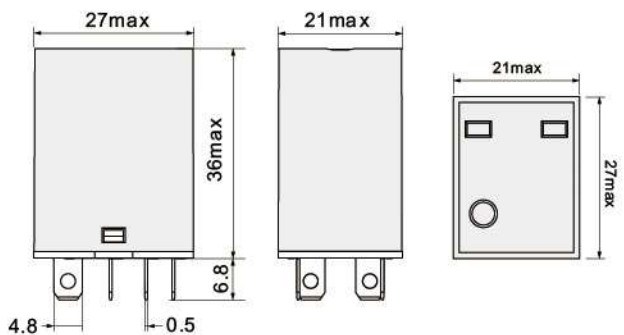
CKE-2CS



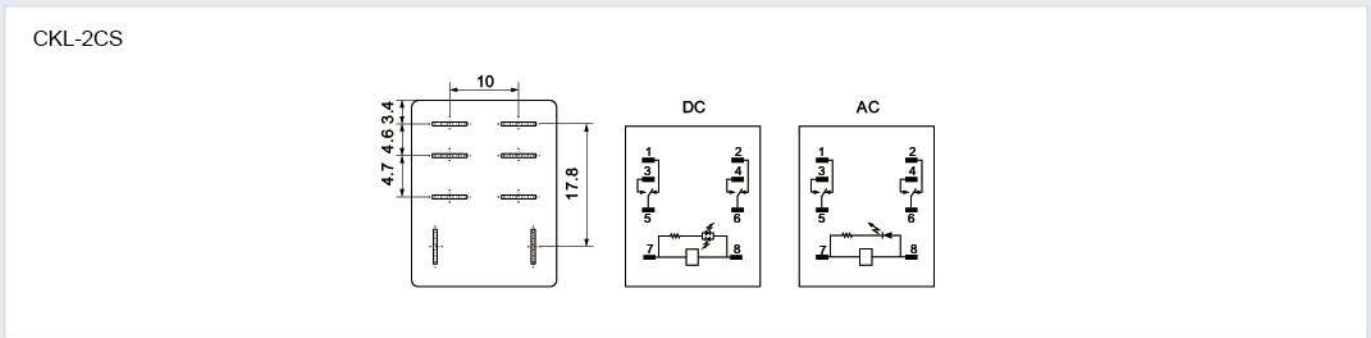
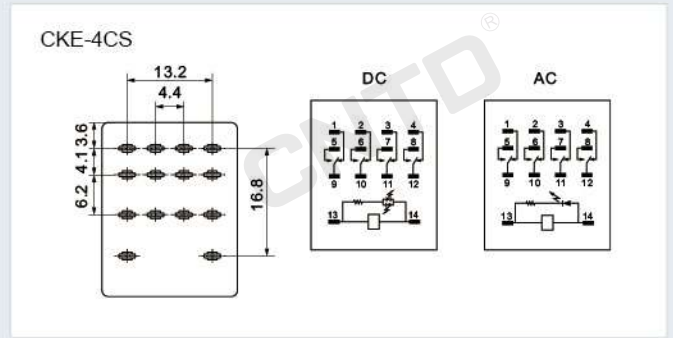
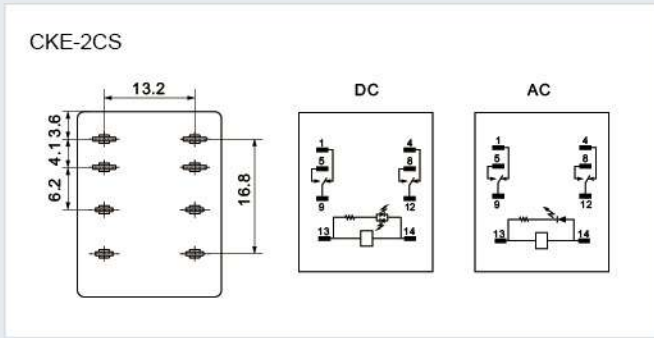
CKE-4CS



CKL-2CS



接线图 Wiring Diagram



继电器插座
Relay Socket

CYF08A-E

负载电流 Load current	7A
负载电压 Load voltage	300V
介质耐压 Dielectric withstanding voltage	2500VAC/S

继电器插座附件

CRS-E

CYF08A-K

负载电流 Load current	7A
负载电压 Load voltage	300V
介质耐压 Dielectric withstanding voltage	2500VAC/S

继电器插座附件

CRS-K

CYF14A-E

负载电流 Load current	5A
负载电压 Load voltage	300V
介质耐压 Dielectric withstanding voltage	2500VAC/S

继电器插座附件

CRS-E

CYF14A-K

负载电流 Load current	5A
负载电压 Load voltage	300V
介质耐压 Dielectric withstanding voltage	2500VAC/S

继电器插座附件

CRS-K

CTF08A-E

负载电流 Load current	10A
负载电压 Load voltage	300V
介质耐压 Dielectric withstanding voltage	2500VAC/S

继电器插座附件

CRS-E

CTF08A-K

负载电流 Load current	10A
负载电压 Load voltage	300V
介质耐压 Dielectric withstanding voltage	2500VAC/S

继电器插座附件

CRS-K